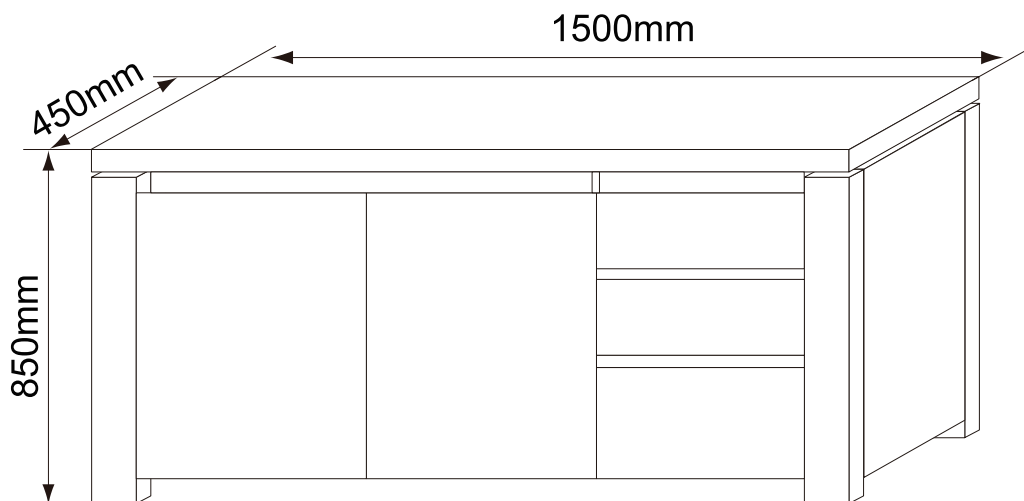


Assembly Instruction

Amart
Furniture

Item Code: 49509

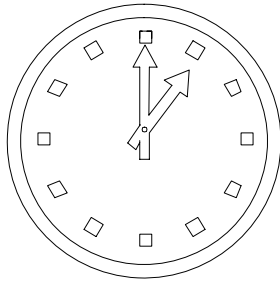
MAJESTY BUFFET



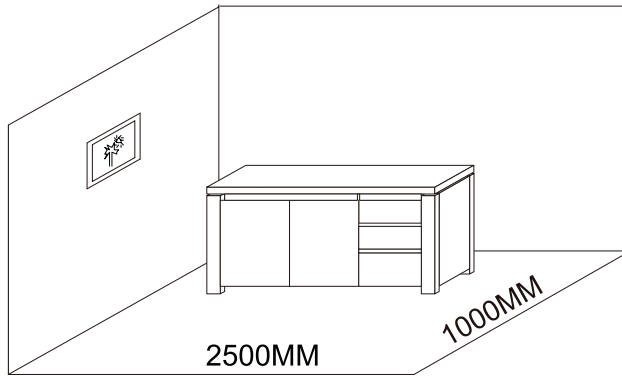
Please read the assembly instruction carefully before assembling.

**IMPORTED BY SUPER AMART PTY LTD, BRISBANE,
QLD, AUSTRALIA
CUSTOMER SERVICE FREECALL 1800 351 084**

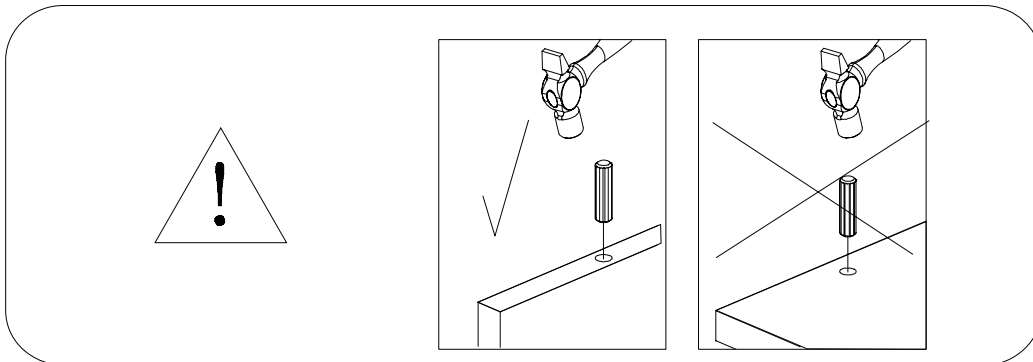
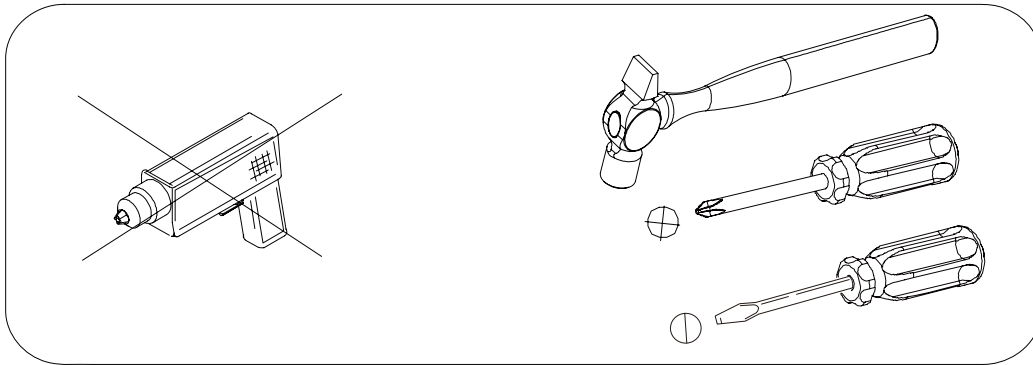
Item Code: 49509



Allow 60 min

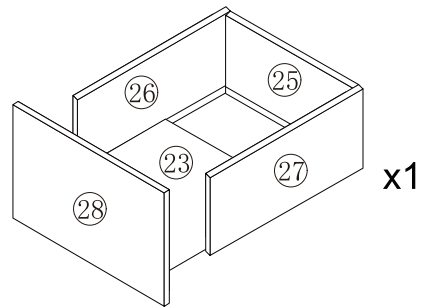
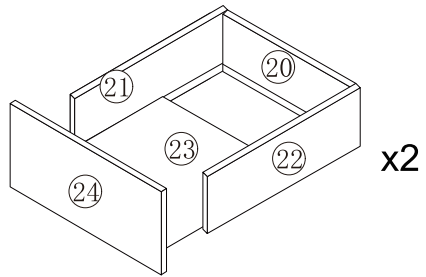
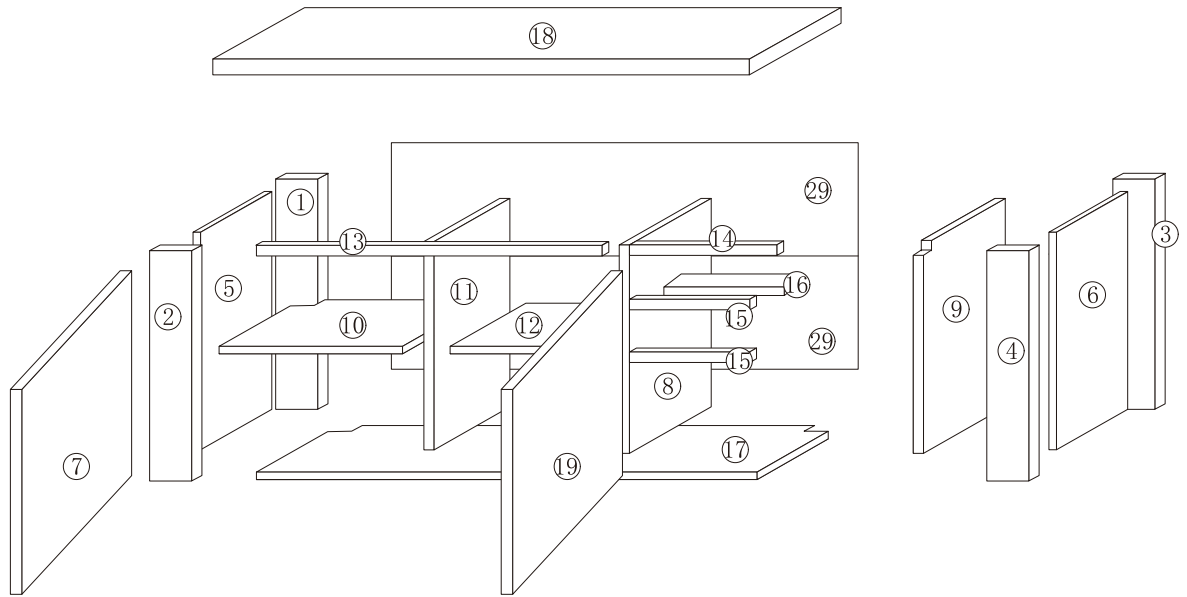


2 PEOPLE REQUIRED



Assembly is to be carried out by a competent adult only.
During assembly children should be kept away from the product due to possible risk of injury.
Do not use this item if any components are missing or damaged.
Please keep these instructions for future reference.



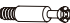




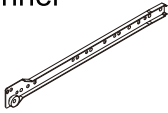
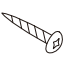

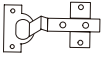

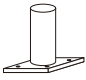


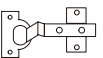


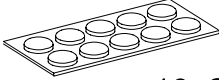
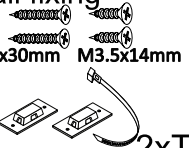
EXPLODED EXAMPLE

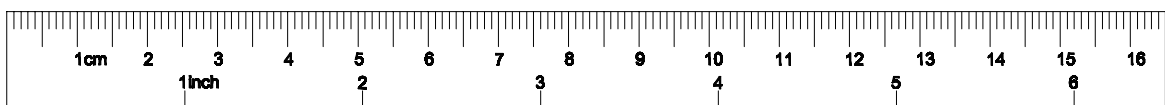


CHECKLIST

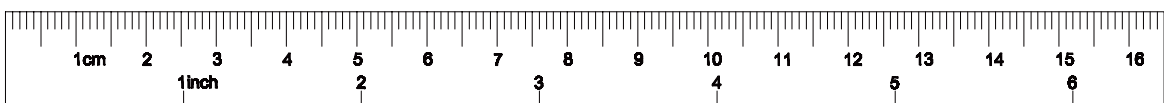
Before you start.....

1. Choose a clean, level, spacious assembly area. Avoid hard surfaces that may damage the product.
2. Check and ensure that you have all required contents for complete assembly.
3. Always read the assembly instructions carefully before beginning assembly.
4. The packaging and contents can be a choking hazard, therefore keep out of reach of small children at all times.
5. Do not over tighten the bolts as this may damage the thread.

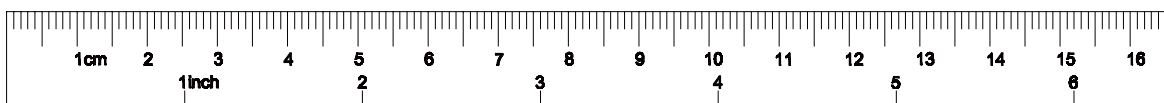
<input checked="" type="checkbox"/>	A dowel  M8x30mm 28xA	B dowel  M8x50mm 23xB	C cam pin  M7x39mm 18xC	D cam pin  M7x53mm 20xD	E countersunk head screw  M3.5x14mm 60xE
F screw  M5x40mm 23xF	G cam lock  38xG	H runner  6xH	I round head screw  M3x16mm 23xI	J mushroom head screw  M4x12mm 8xJ	
K 180° hinge  2xK	L white foot nail  4xL	M adjustable leg  2xM	N black corner connection  2xN	O back panel's support  5xO	
P hinge  2xP	Q foam sticker  2xQ	R runner  6xR	S anticollision particles  10xS	T wall fixing  M4x30mm M3.5x14mm 2xT	



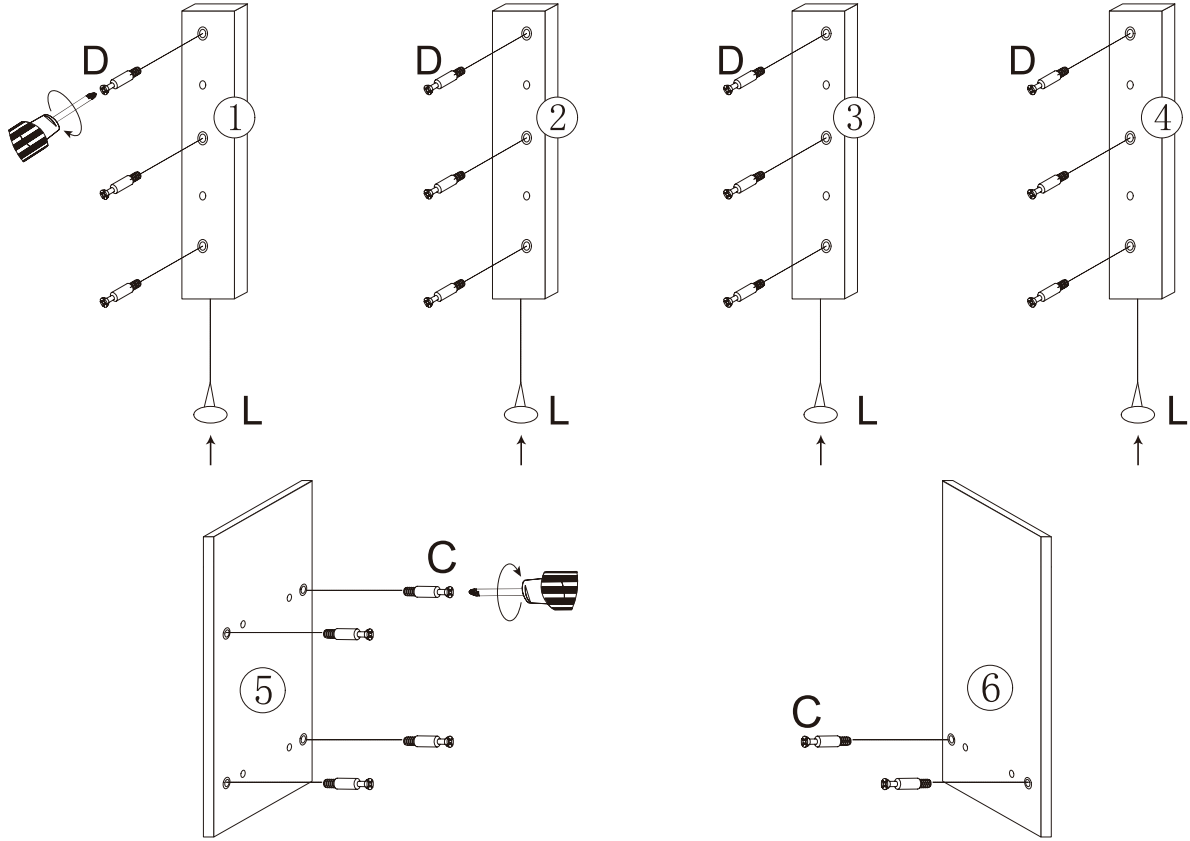
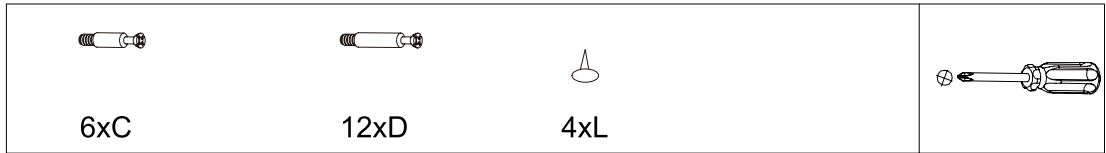
PART NUMBER	QTY	DIMENSIONS (MM)
1&2&3&4	4	130x795x50
5&6	2	348x740x15
7&19	2	413x700x15
8	1	396x723x15
9	1	346x723x15
10	1	379x482.5x15
11	1	380x723x15
12	1	379x402.5x15
13	1	60x900x15
14	1	60x463x15
15	2	60x393x15



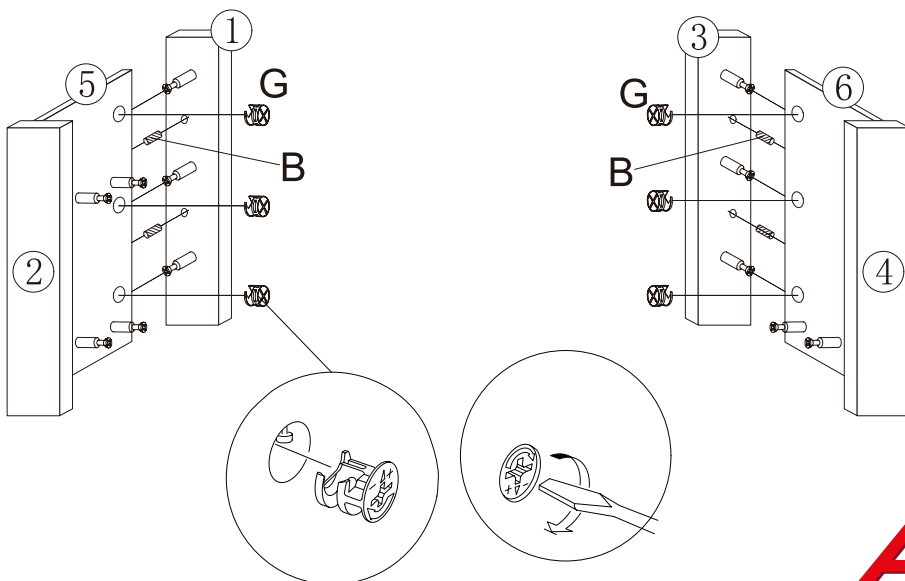
PART NUMBER	QTY	DIMENSIONS(MM)
16	1	75x393x15
17	1	397x1378x15
18	1	450x1500x40
20	2	110x338x15
21&22	4	110x350x15
23	3	341x345x2.7
24	2	185x395x15
25	1	190x338x15
26&27	2	190x350x15
28	1	290x395x15
29	1	380x1270x2.7



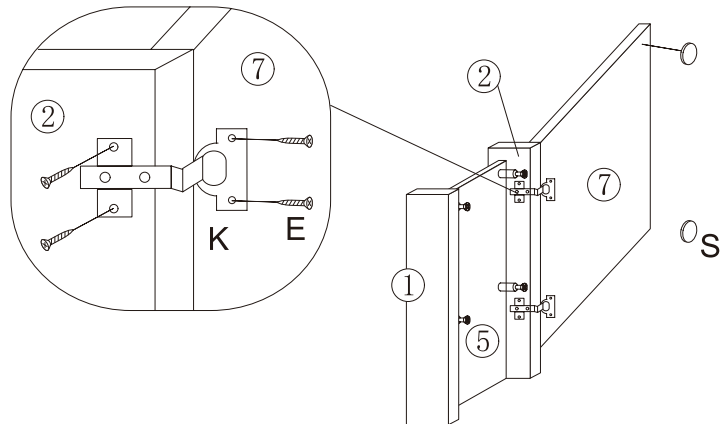
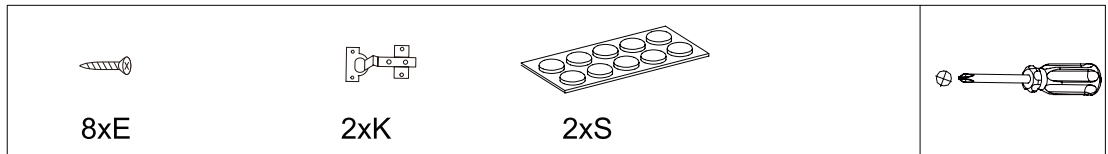
1



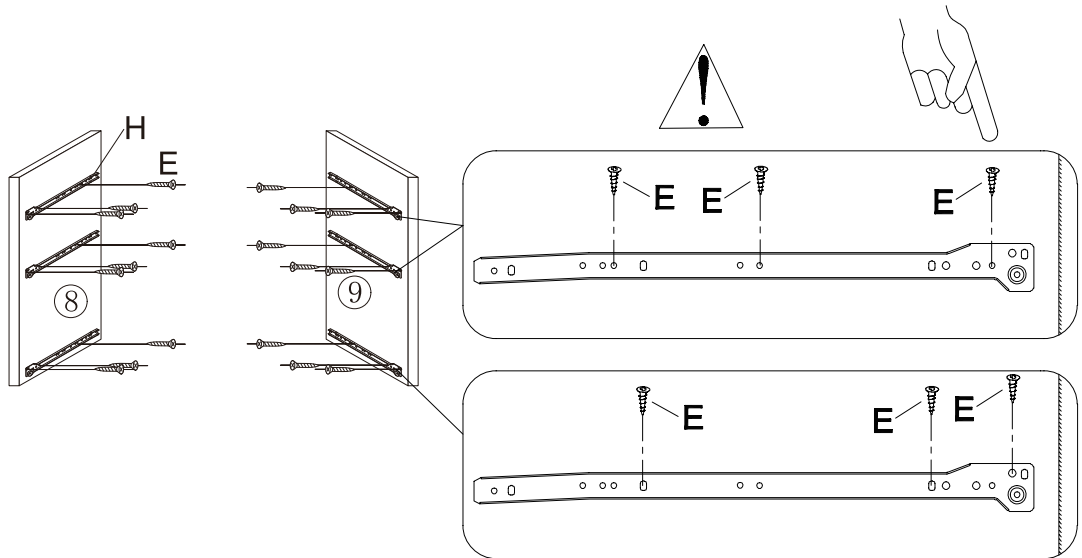
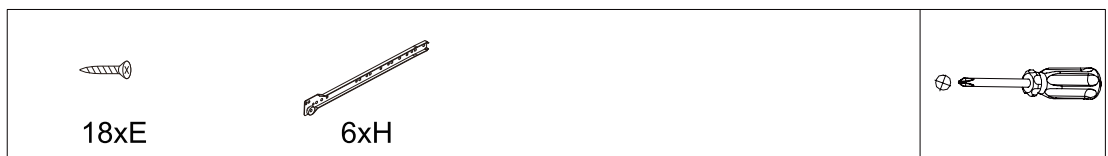
2



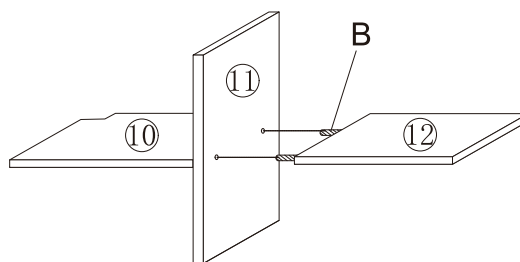
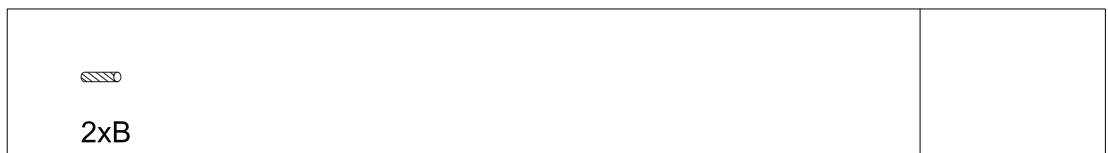
3



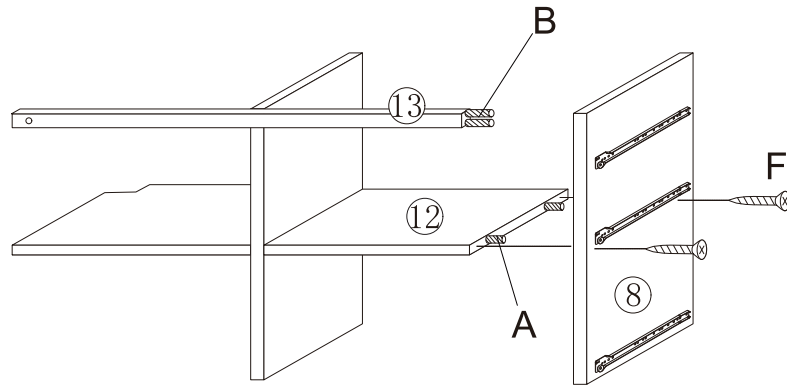
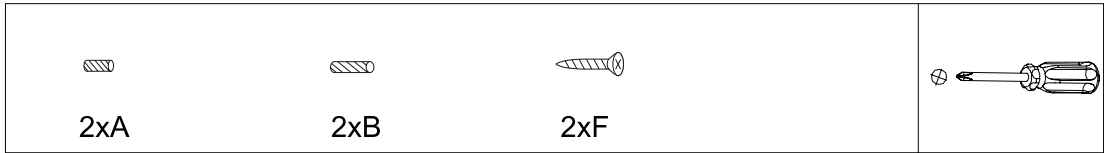
4



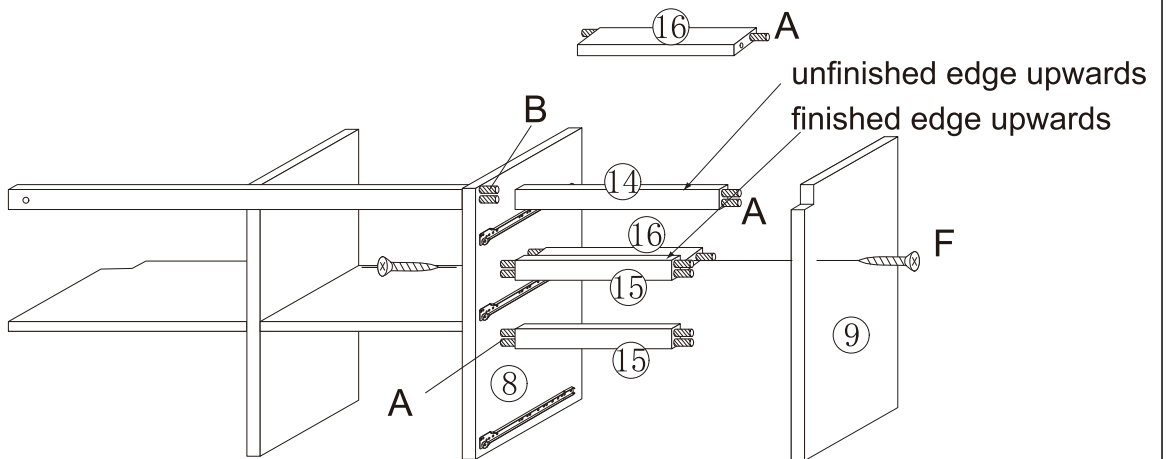
5



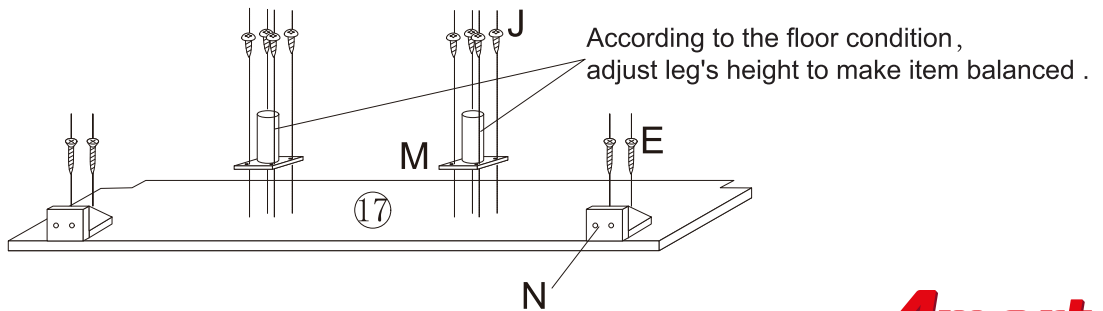
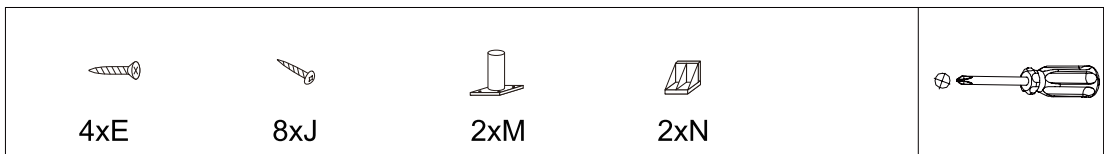
6



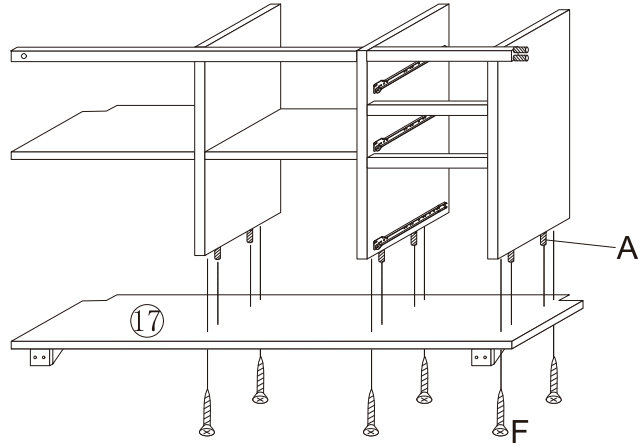
7



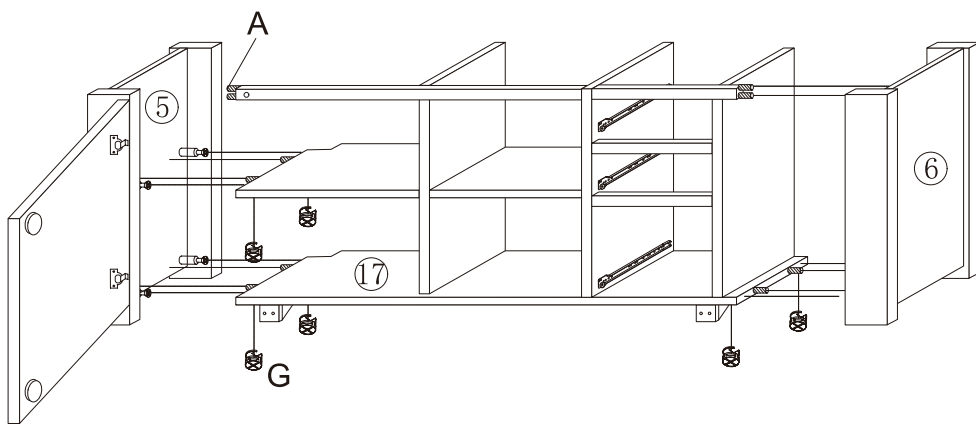
8



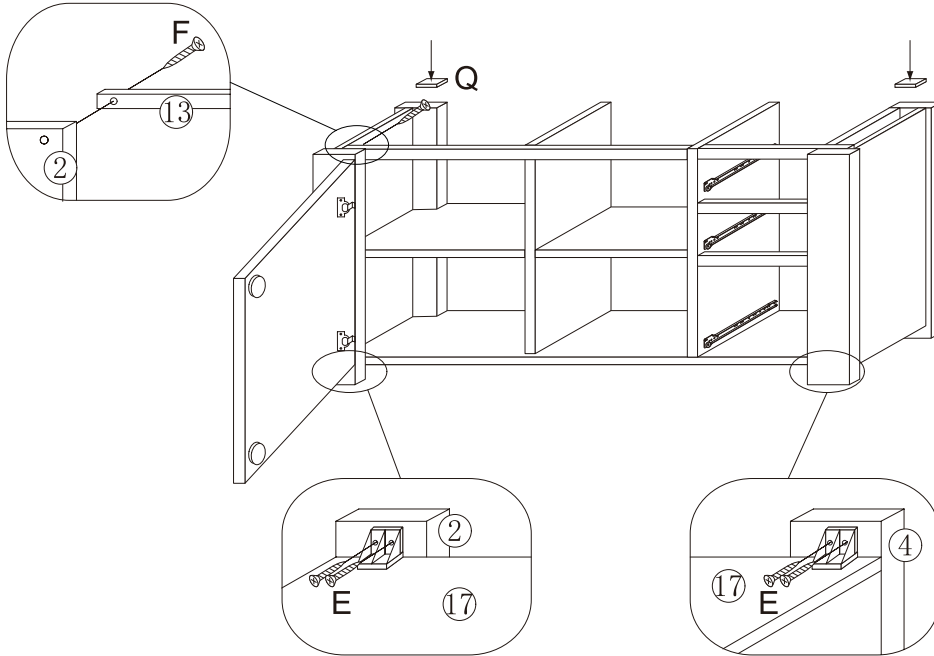
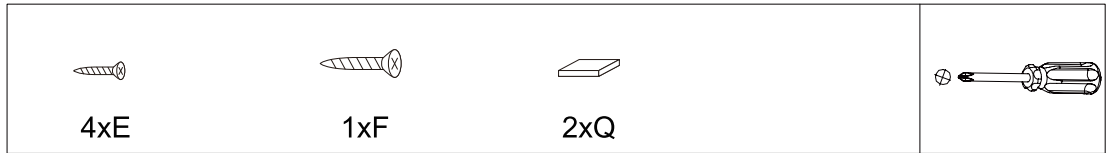
9



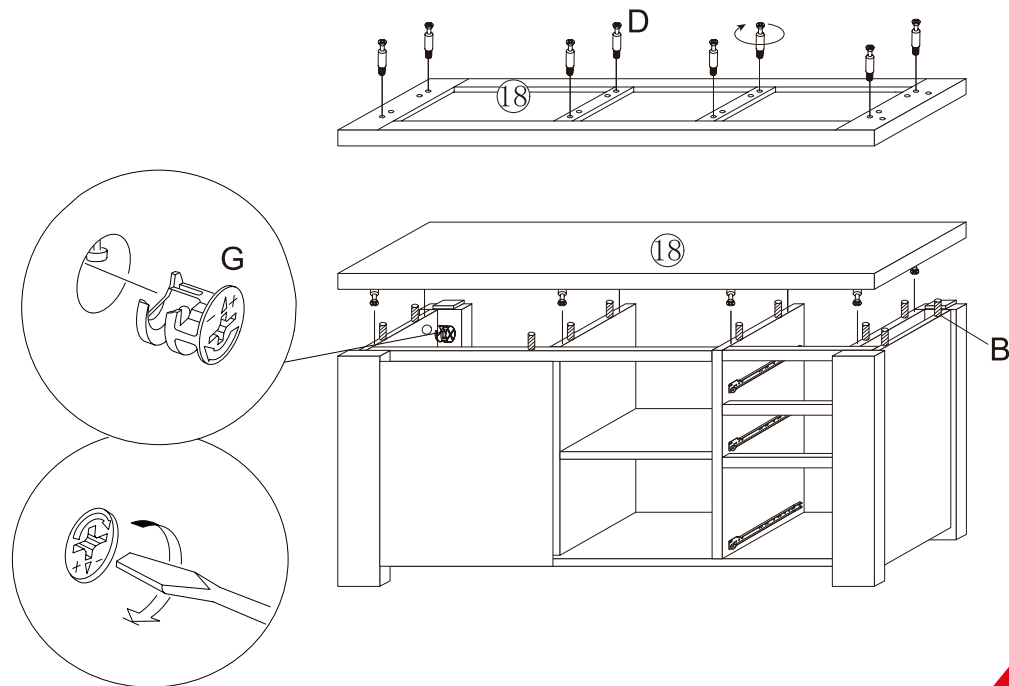
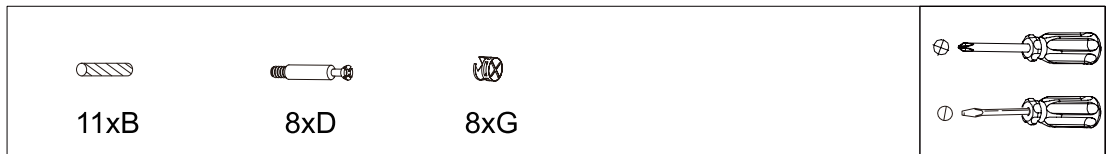
10



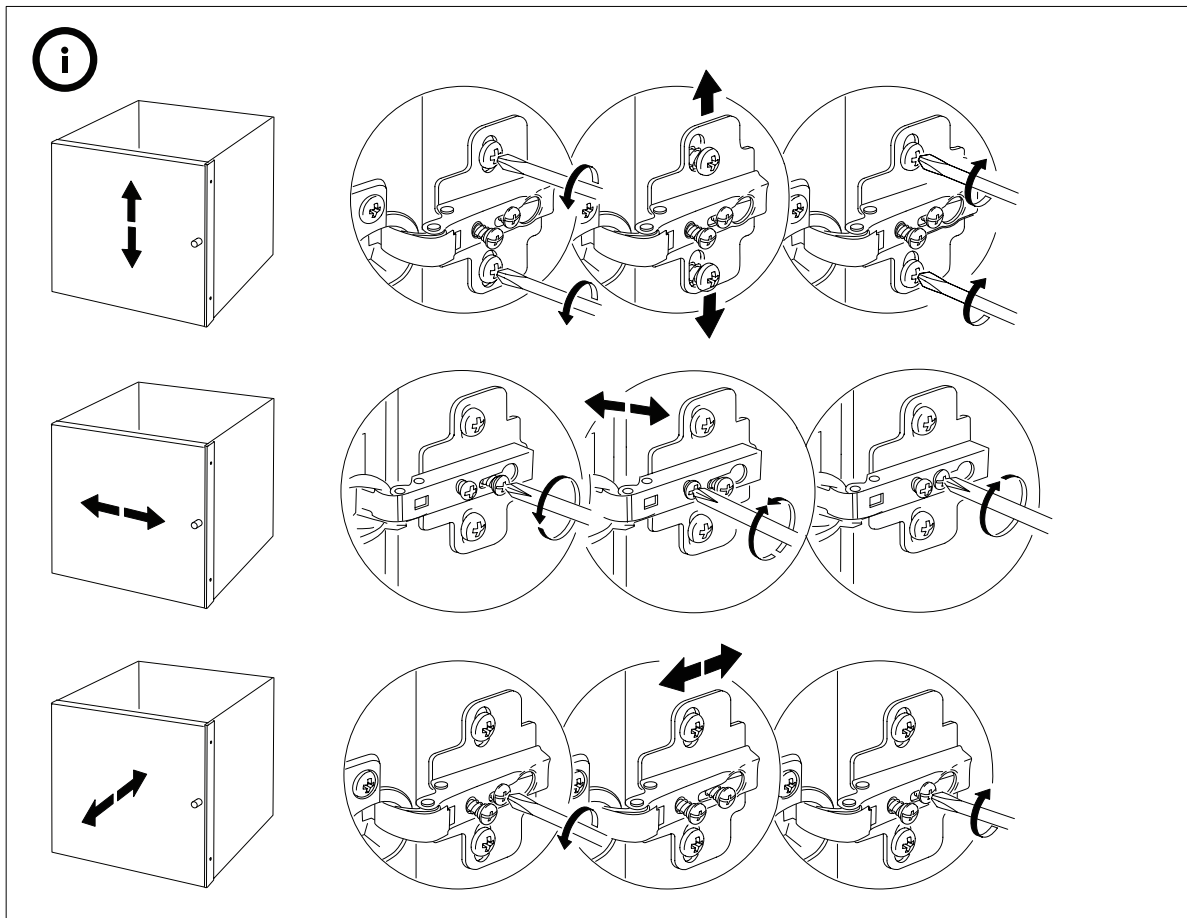
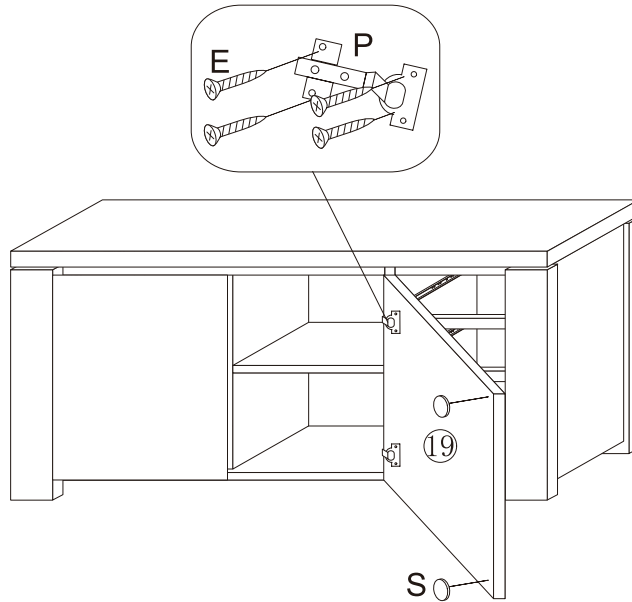
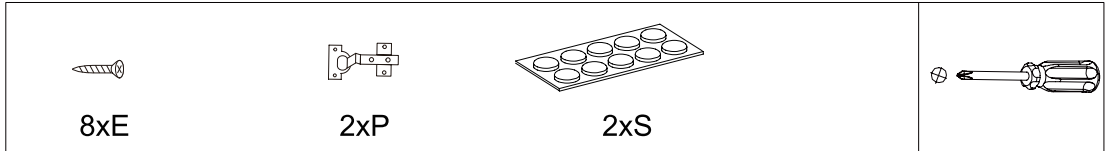
11



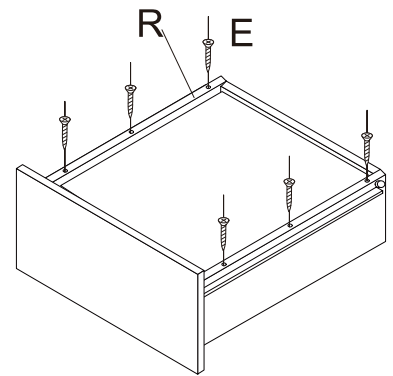
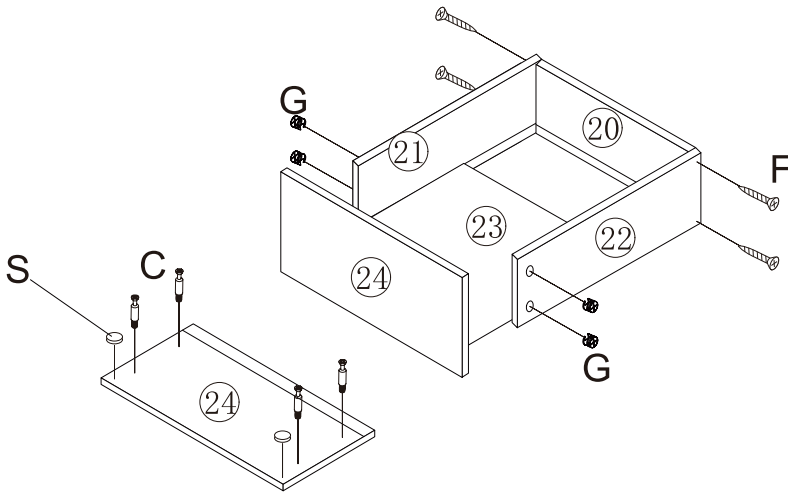
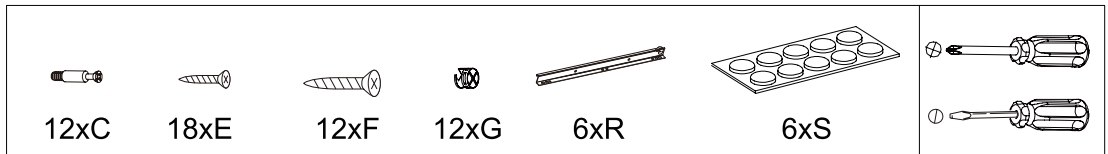
12



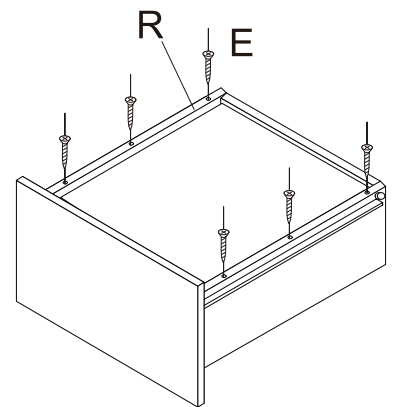
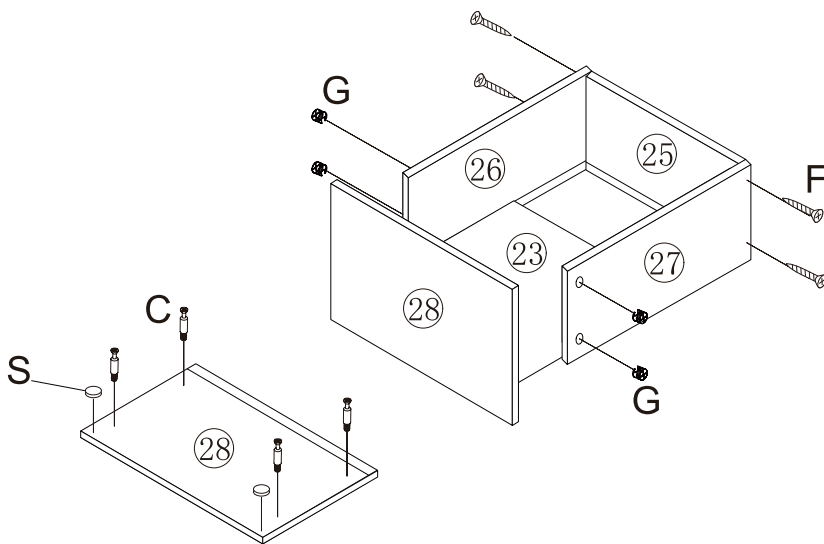
13



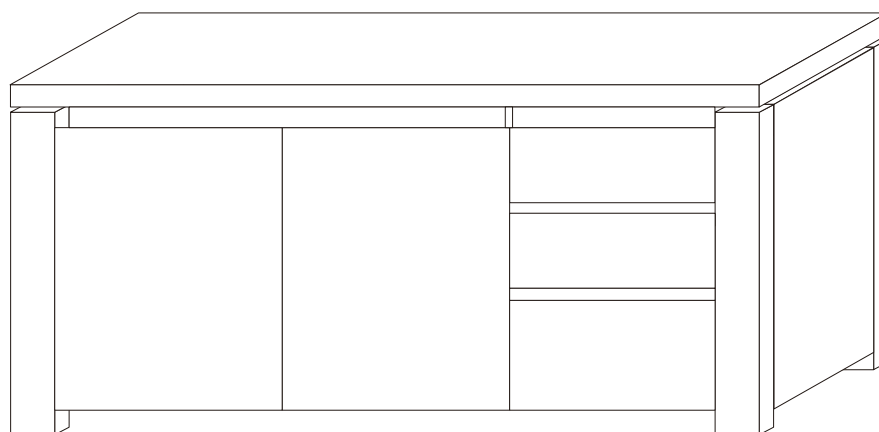
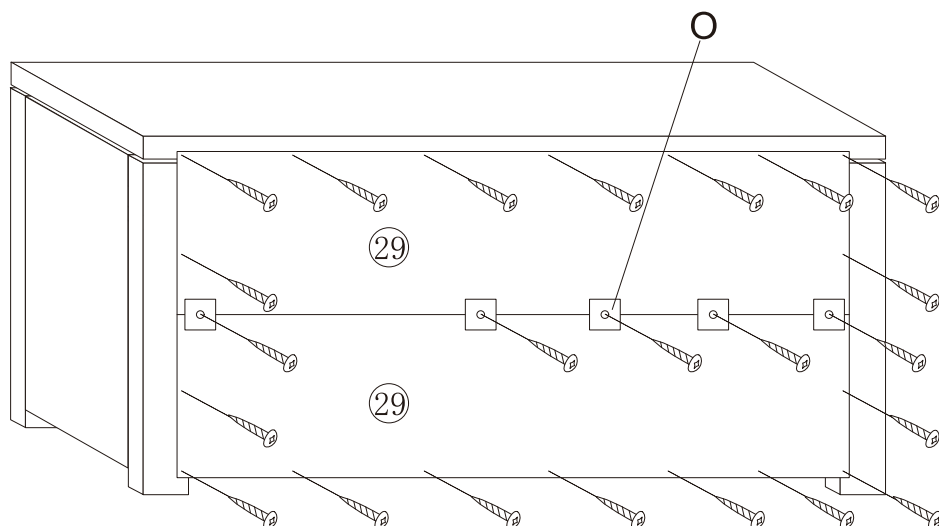
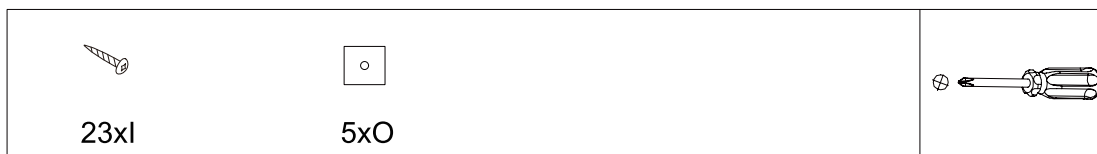
14



x2



15

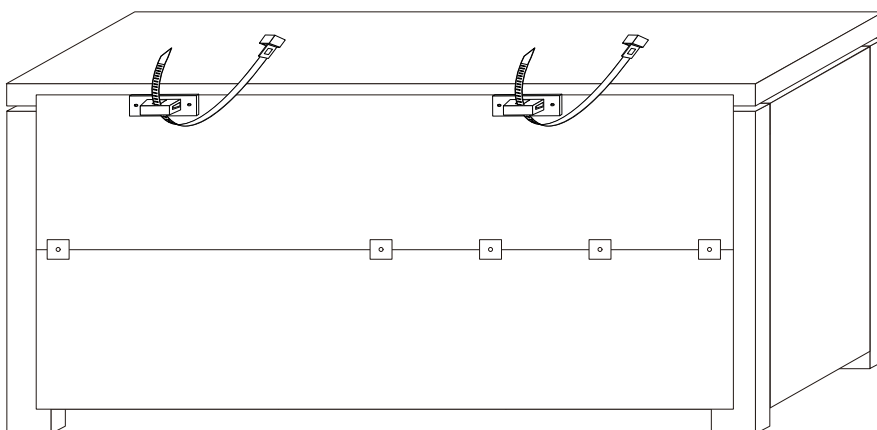
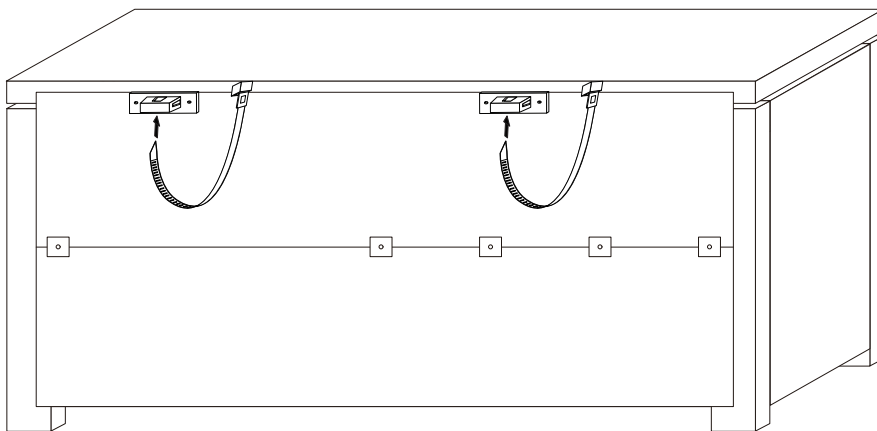
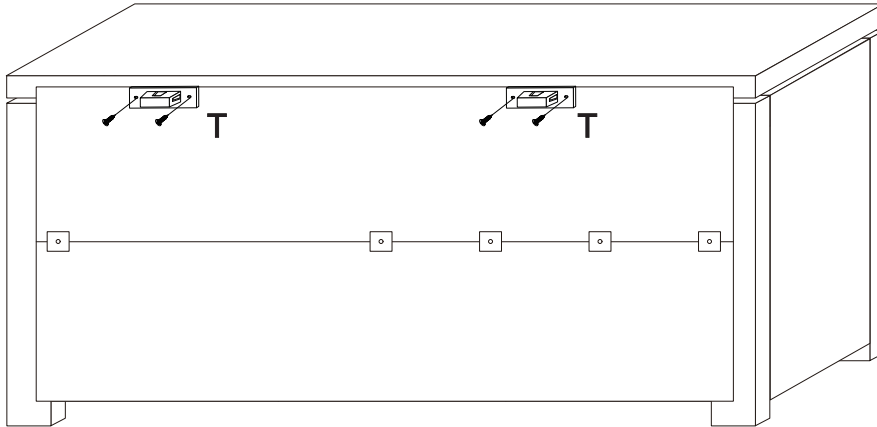


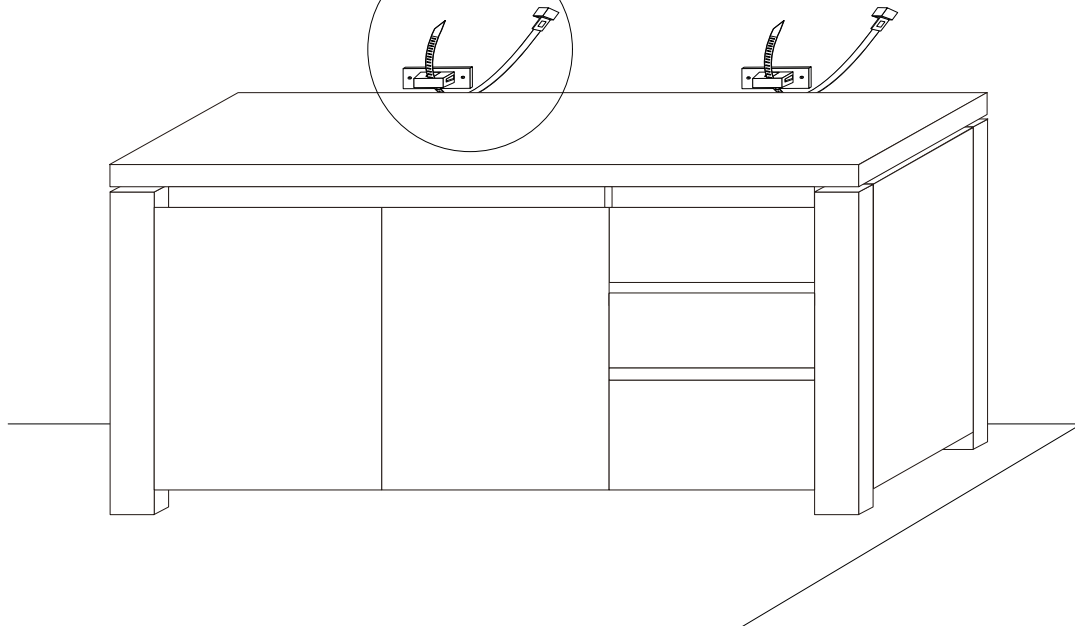
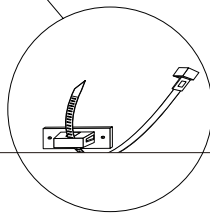
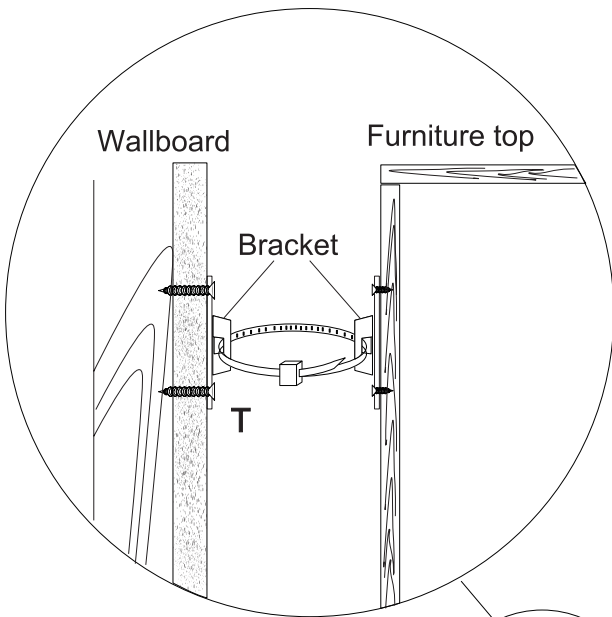
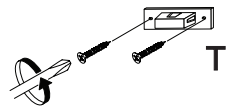
The job is now complete!

**In the interest of our environment
please dispose of all packaging thoughtfully.**



NOTE - This product must be fixed to a wall. It is important to ensure the correct wall fixings are used. Failure to do so may result in personal injury or property damage caused by the item toppling over. As wall materials vary greatly, the fastener required to fix this product to a wall is not included. If unsure, consult your local hardware store for advice on wall fixings suitable for your situation.

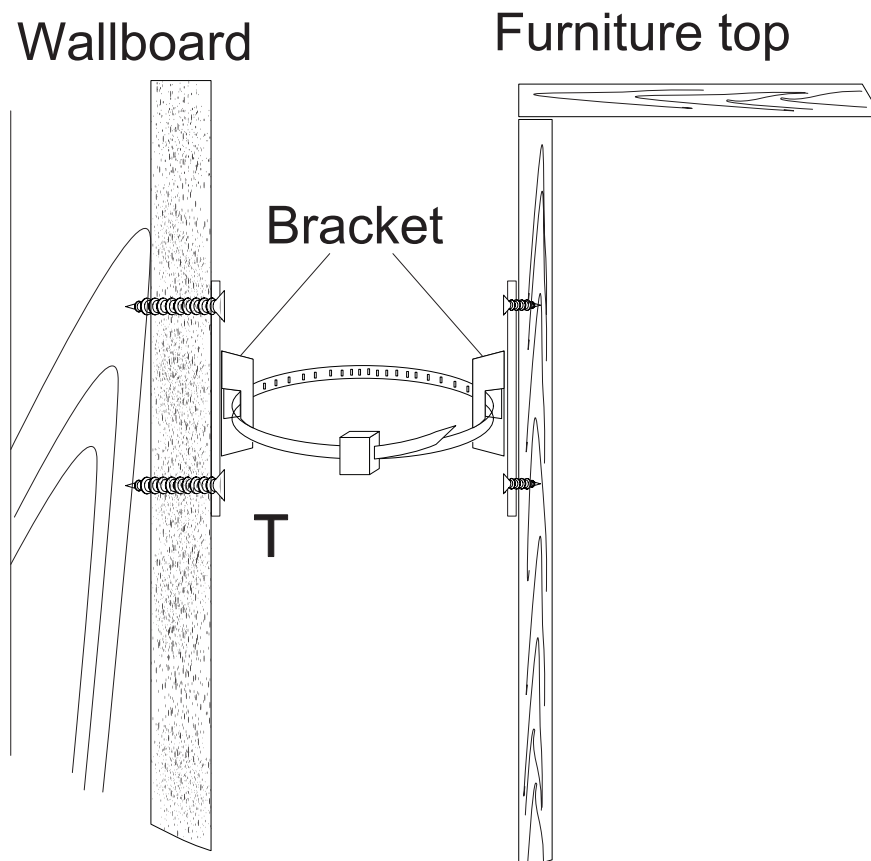






SAFETY BRACKETS INSTRUCTIONS

1. Attach a bracket to the wallboard with the long screws provided.
2. Attach a bracket to the furniture frame under the top with the short screws provided.
3. Move the furniture into its final position. Thread a strap through the bracket as shown in the illustration, tighten strap until snug. Do not over tighten.
4. Make sure the bracket is firmly attached to the wallboard and furniture, and the strap is snug.



PRODUCT CARE:

To protect your furniture, we suggest the following:

- *Avoid placing your furniture in direct sunlight.
- *Do not place furniture directly under windows.
- *Do not place sharp materials(knife, fork, etc) directly onto your furniture as sharp material may scrape and damage the finish.

Do not place material with high temperature directly onto the surface of your furniture.

- *Protective padding is strongly recommended when using your furniture .
- *Clean up spills quickly. Water left over a prolonged period of time may cause damage. Alcohol, perfume, nail polishes, aftershave and some medication may cause severe finish damage if not cleaned immediately.
- *Use a clean, soft, dry, lint free absorbant cloth to clean your furniture. Do not use any detergent as they may contain ingredients that may react and damage the finish.

NOTE: If the above care advise is not adhered to your product warranty may become void.